



WIND



Eden[®]

Sistemi Idronici per il Clima



CENTRIFUGAL FAN-COILS

Elegant and Functional



- > Simple, attractive design.
- > 120 basic models, differing sizes and versions.
- > Floor-standing, suspended, built-in, ceiling-mounted, suspended-ceiling installation, ductable. With bottom or front air intake and top or front air outlet.
- > For 2 or 4-pipe systems, with 3 or 4-row exchangers.
- > Cased units with airflow direction louvers.
- > Decorative panels in lacquered wood or painted sheet metal.

Components

Chassis in galvanised (0.8 mm), insulated sheet metal. Condensate-drain pan in galvanised, insulated sheet metal with fittings for condensate drainage.

Knock-outs on side panels for easy factory or site fitting of accessories. Slots on rear of pane to facilitate wall-mounting.

Heat exchangers consist of Aluminium fins mechanically expanded onto copper tubes in a continuous block.

Frame in galvanised steel, brass headers with female 3/4" gas fitting. Air vents on both headers. Standard water connections on left-hand side; right-hand side on request. Coil can be easily rotated if necessary.

Electric fans

Single-phase asynchronous motor with 6 speed settings (3 connected in the factory) with overload cutout.

Anti-vibration mountings for low-noise operation.

Three-dimensional double-inlet centrifugal fans with aluminium impellers. Statically and dynamically balanced.

All fans are run tested during final on-line test and inspection procedures.

Filters

Metal frame containing honeycomb polypropylene filter media. Easy to remove and clean. Standard filters are to EU1 efficiency; other efficiencies available on request.

↓ VERTICALS



Casing

Hot-galvanised sheet metal pre-coated with a PVC film to increase resistance to corrosion.

Airflow direction louvres in ABS or nylon.

Colour of housing: white. Colour of louvres: light grey. Other RAL colours available on request.

Decorative panels

For vertical wall recessed type and horizontal ceiling concealed type, decorative panels in white lacquered wood or white PVC-coated galvanised metal are available.

The panels come complete with air intake and outlet grilles and filter.

Accessories

Electric heating elements | 3 or 4- port valves | On-off and balancing valves | External air intake dampers (manual or motor-operated) | Inlet and discharge plenums
Auxiliary coils | Condensate drain pans | Telescopic extensions | Plinths | Decorative panels | Condensate drain pumps, etc.



Eden[®]
Sistemi Idronici per il Clima



↓ HORIZONTAL

↓ CONCEALED



Controls

For versions with Casing (Vertical version):

Standard: Summer/off/winter switch + 3-speed fan switch.

Optional: Mechanical thermostat (to be added to the standard switch).
Minimum temperature thermostat.

Electronic room temperature control complete with inlet air temperature sensor, summer/off/winter switch, 3-speed fan switch.

For recessed versions:

Terminal strip applied to the side of the fan coil for connection to the wall-mounted controller. Manual, semi-automatic and automatic controls, with display and infrared remote control on request.



CE Mark

The CE Mark indicates that Eden S.r.l. guarantees conformity of the appliances with the Machinery Directive 89/392/EEC, the Low Voltage Directive 73/23/EEC and the Electromagnetic Compatibility Directive 89/336/EEC and subsequent amendments.

Warranty

Eden fan coils are guaranteed against defects due to faulty materials or workmanship for 2 years from first start-up of the installation (see the terms of warranty).

Eden S.r.l. reserves the right to change technical data and dimensions at any time without notice.

TECHNICAL DATA

MODEL				10	20	30	40	50	60	70	80	90	100	110	120	
SPEED SET IN THE FACTORY				2° 4' 5"	2° 3' 4"	2° 3' 4"	2° 3' 5"	1° 3' 4"	2° 4' 5"	3° 4' 5"	1° 2' 3"	1° 3' 5"	2° 3' 5"	2° 3' 5"	2° 4' 5"	
2 pipe system (standard coil)																
COOLING Inlet air temperature: 7 °C Outlet water temp.: 12°C Inlet water temperature: 27°C d.b.-19°C w.b.	Total cooling capacity		W	max	860	1.280	2.170	2.530	3.110	3.850	4.330	5.590	6.900	7.970	10.000	11.000
			W	med	790	1.170	1.940	2.030	2.790	3.410	3.710	5.170	5.960	6.830	7.690	9.380
			W	min	670	1.080	1.450	1.530	2.200	2.720	3.250	4.480	4.830	6.240	6.020	6.910
	Sensible cooling capacity		W	max	740	1.020	1.760	2.170	2.180	3.080	3.150	3.960	4.820	6.060	7.910	8.470
			W	med	650	900	1.570	1.710	1.930	2.680	2.670	3.620	4.110	5.120	5.920	7.120
			W	min	510	810	1.200	1.310	1.500	2.120	2.300	3.130	3.290	4.620	4.580	5.110
	Water flow	l/h	max	148	220	373	435	535	662	745	961	1187	1376	1.727	1.898	
Water pressure loss	kPa	max	0,9	2	5,3	8,8	16,1	25,9	37,6	27,9	19,1	26,6	21,5	26,8		
HEATING Air temperature: 20°C Inlet water temperature acqua: 50°C	Heating capacity		W	max	1.250	1.870	2.590	3.280	3.660	4.480	5.140	6.690	8.130	10.100	13.100	13.300
			W	med	1.100	1.650	2.330	2.640	3.270	3.940	4.370	6.180	6.980	8.540	9.930	11.200
			W	min	850	1.470	1.870	2.110	2.570	3.120	3.790	5.360	5.620	7.770	7.750	8.150
	Water flow	l/h	max	148	220	373	435	535	662	745	961	1187	1.376	1.727	1.898	
Water pressure loss	kPa	max	0,7	1,4	4,9	7,5	13,7	22	34,7	23,7	17,6	23,3	18,8	24,2		
HEATING Air temperature: 20°C Inlet water temperature acqua: 70/60°C	Heating capacity		W	max	2.160	3.230	4.380	5.530	6.150	7.510	8.560	11.260	13.660	16.860	22.020	22.300
			W	med	1.660	2.840	3.950	4.460	5.500	6.610	7.270	10.400	11.710	14.300	16.690	18.800
			W	min	1.450	2.510	3.200	3.570	4.320	5.230	6.290	9.020	9.420	13.010	13.020	13.700
	Water flow	l/h	max	186	278	377	475	529	646	736	968	1.175	1.450	1.893	1.994	
	Water pressure loss	kPa	max	1,0	2,0	4,5	8,1	12,1	19,0	30,7	21,8	15,6	23,5	20,5	24,2	
FURTHER DATA	Electrical heater heating capacity		W	-	600	1.000	1.000	1.000	2.000	2.000	2.000	3.000	3.000	3.000	4.000	4.000
			A	-	2,61	4,35	4,35	4,35	8,7	8,7	8,7	13,04	13,04	13,04	17,39	17,39
	Air flow		m³/h	max	227	289	404	453	575	685	708	1.058	1.242	1.356	2.012	2.003
			m³/h	med	189	244	352	344	495	578	578	950	1.014	1.093	1.370	1.590
			m³/h	min	136	209	269	262	362	429	486	788	770	969	989	1.056
	Sound power level		dB(A)	max	46	45	44	47	47	52	52	58	64	63	67	66
			dB(A)	med	41	41	41	40	43	47	46	56	58	57	58	61
			dB(A)	min	33	37	34	33	37	38	42	51	51	55	50	53
	Sound pressure level		dB(A)	max	37,4	36,4	35,4	38,4	38,4	43,4	43,4	49,4	55,4	54,4	58,4	57,4
			dB(A)	med	32,4	32,4	32,4	31,4	34,4	38,4	37,4	47,4	49,4	48,4	49,4	52,4
			dB(A)	min	24,4	28,4	25,4	24,4	28,4	29,4	33,4	42,4	42,4	46,4	41,4	44,4
Maximum power motor input	W	max	30	30	40	50	60	80	70	160	180	213	277	273		
Maximum current motor input	A	max	0,18	0,25	0,28	0,28	0,45	0,45	0,44	0,96	0,95	0,97	1,27	1,25		
Water content	L	-	0,59	0,93	1,27	1,27	1,61	1,61	2,42	2,93	2,93	3,28	4,04	4,04		
4 pipe system (standard coil+ auxiliary coil)																
COOLING Inlet air temperature: 7 °C Outlet water temp.: 12°C Inlet water temperature: 27°C d.b.-19°C w.b.	Total cooling capacity		W	max	840	1.230	2.080	2.380	2.960	3.690	4.470	5.350	6.570	7.710	9.700	10.700
			W	med	770	1.130	1.850	1.900	2.660	3.260	3.830	4.950	5.660	6.590	7.430	9.060
			W	min	650	1.040	1.380	1.440	2.100	2.610	3.350	4.280	4.580	6.050	5.790	6.650
	Sensible cooling capacity		W	max	710	1.120	1.690	1.930	2.490	2.910	3.340	4.110	5.260	5.860	7.660	8.200
			W	med	630	990	1.510	1.520	2.200	2.540	2.830	3.760	4.470	4.940	5.720	6.890
			W	min	500	890	1.150	1.160	1.720	2.000	2.440	3.260	3.570	4.470	4.400	4.920
	Water flow	l/h	max	144	212	358	409	509	635	769	920	1130	1.330	1.673	1.837	
Water pressure loss	kPa	max	0,61	2,0	5,7	8,2	10,7	20,0	49,8	11,6	37,8	24,9	21,7	25,1		
HEATING Air temperature: 20°C Inlet water temperature acqua: 70/60°C	Heating capacity		W	max	1.260	1.890	2.730	2.890	3.490	4.140	5.040	5.410	6.720	8.380	10.100	11.400
			W	med	1.110	1.670	2.450	2.330	3.120	3.750	4.290	5.090	5.970	7.390	8.160	10.000
			W	min	860	1.490	1.970	1.860	2.450	3.150	3.710	4.560	5.060	6.900	6.750	7.840
	Water flow	l/h	max	108	163	235	249	300	356	433	465	578	739	891	1.008	
Water pressure loss	kPa	max	2,1	5,7	13,9	16,4	27,9	35,1	61,5	14,0	20,9	48,4	41,3	47,3		
FURTHER DATA	Air flow		m³/h	max	216	275	384	430	546	651	673	1.005	1.180	1.291	1.916	1.908
			m³/h	med	179	232	336	329	479	552	555	904	970	1.041	1.305	1.514
			m³/h	min	129	199	258	255	355	412	467	750	742	928	942	1.006
	Sound power level		dB(A)	max	45	47	44	47	46	53	53	59	65	63	67	67
			dB(A)	med	40	43	40	41	42	48	47	57	59	58	58	62
			dB(A)	min	34	39	34	35	35	41	43	51	51	55	51	52
	Sound pressure level		dB(A)	max	36,4	38,4	35,4	38,4	37,4	44,4	44,4	50,4	56,4	54,4	58,4	58,4
			dB(A)	med	31,4	34,4	31,4	32,4	37,4	39,4	38,4	48,4	50,4	49,4	49,4	53,4
			dB(A)	min	25,4	30,4	25,4	26,4	26,4	32,4	34,4	42,4	42,4	46,4	42,4	43,4
	Maximum power motor input	W	max	30	30	40	50	60	80	70	160	180	213	277	273	
	Maximum current motor input	A	max	0,18	0,25	0,28	0,28	0,45	0,45	0,44	0,96	0,95	0,97	1,27	1,25	
Water content (cooling)	L	-	0,59	0,93	1,27	1,27	1,61	1,61	2,42	2,93	2,93	3,28	4,04	4,04		
Water content (heating)	L	-	0,19	0,31	0,42	0,42	0,53	0,53	0,53	1,29	1,29	1,09	1,35	1,35		

- Standard unit with free outlet (External static pressure= 0 Pa)

Sound power level: secondo ISO 23741.

Sound pressure level: The sound pressure level is 8,6 dB(A) lower than the sound power level.

MODEL		SPEED SET IN THE FACTORY												
		10	20	30	40	50	60	70	80	90	100	110	120	
		2° 4' 5"	2° 3' 4"	2° 3' 4"	2° 3' 5"	1° 3' 4"	2° 4' 5"	3° 4' 5"	1° 2' 3"	1° 3' 5"	2° 3' 5"	2° 3' 5"	2° 4' 5"	
Maximum external static pressure (Pa) - Reduces unit performance by 50%														
2 pipe system	Pa	max	25	25	19	27	32	36	44	55	53	75	84	84
	Pa	med	18	19	15	17	28	28	34	51	45	62	68	80
	Pa	min	11	15	10	11	19	16	26	41	33	49	47	58
4 pipe system	Pa	max	19	19	15	22	25	28	36	42	44	74	83	82
	Pa	med	15	15	13	14	21	22	28	38	37	61	67	79
	Pa	min	9	12	8	9	14	13	20	30	27	48	47	58

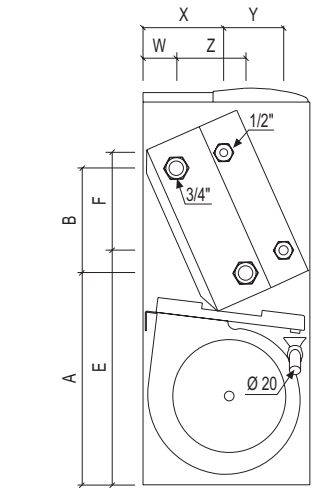
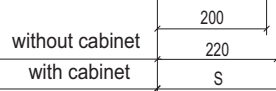
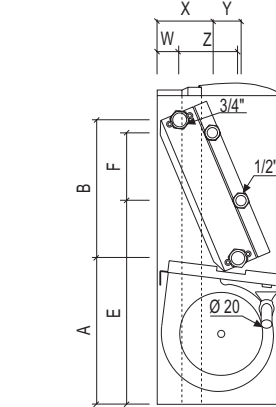
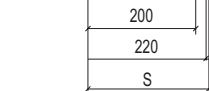
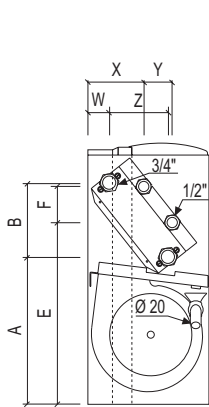
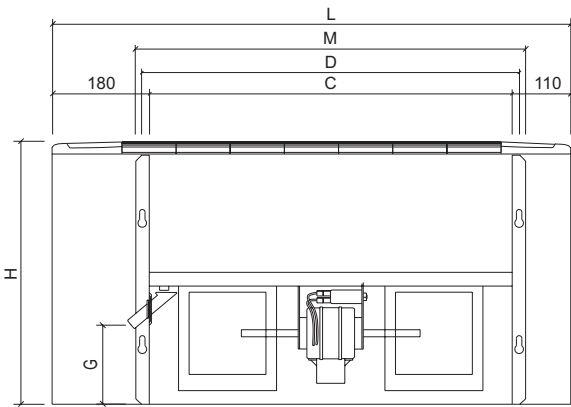
MODEL		10	20	30	40	50	60	70	80	90	100	110	120	
Fans	No.	1	1	2	2	2	2	2	2	2	3	3	3	
Standard coil	Rows	No.	3	3	3	3	3	3	3	3	3	3	3	
	Fitting	Ø	3/4"	3/4"	3/4"	3/4"	3/4"	3/4"	3/4"	3/4"	3/4"	3/4"	3/4"	
Auxiliary coil	Rows	No.	1	1	1	1	1	1	1	1	1	1	1	
	Fitting	Ø	1/2"	1/2"	1/2"	1/2"	1/2"	1/2"	1/2"	1/2"	1/2"	1/2"	1/2"	
External dimensions	Height	H	mm	480	480	480	480	480	585	585	585	602	602	602
	Length	L	mm	660	860	1.060	1.060	1.260	1.260	1.260	1.460	1.460	1.660	1.960
	Depth	S	mm	220	220	220	220	220	220	220	220	256	256	256
Internal dimensions	M	mm	420	620	820	820	1.020	1.020	1.020	1.220	1.220	1.380	1.680	1.680
	C	mm	370	570	770	770	970	970	970	1.170	1.170	1.330	1.630	1.630
	D	mm	395	595	795	795	995	995	995	1.195	1.195	1.356	1.656	1.656
Standard coil hydraulic fitting	A	mm	274	274	274	274	274	274	268	268	268	333	333	333
	B	mm	137	137	137	137	137	137	253	253	253	173	173	173
	W	mm	39	39	39	39	39	39	41	41	41	39	39	39
Auxiliary coil hydraulic fitting	Z	mm	109	109	109	109	109	109	107	107	107	141	141	141
	E	mm	337	337	337	337	337	337	374	374	374	395	395	395
	F	mm	67	67	67	67	67	67	124	124	124	120	120	120
Condensate drain hose position	X	mm	103	103	103	103	103	103	101	101	101	115	115	115
	Y	mm	53	53	53	53	53	53	52	52	52	62	62	62
	G	mm	147	147	147	147	147	147	147	147	147	167	167	167
Net weight	kg	14	17	22	23	27	28	30	35	36	46	55	57	

GENERAL DIMENSIONS

Models W10÷60

Models W70÷90

Models W100÷120*



* Dimensions referred to units with left side water connections.

