



RANGE **FLAT**



**THIN PROFILE
CENTRIFUGAL FAN-COILS**

Thin profile centrifugal fan-coils



- › Simple, attractive design with thin thickness
- › 30 basic models, differing sizes and versions.
- › Floor-standing, suspended, built-in, ceiling-mounted, suspended-ceiling installation, ductable. With bottom or front air intake and top or front air outlet.
- › For 2 or 4-pipe systems, with 3 or 4-row exchangers.
- › Cased units with airflow direction louvers.
- › Decorative panels in lacquered wood or painted sheet metal.

Components

Chassis in galvanised, insulated sheet metal. Condensate-drain pan in galvanised, insulated sheet metal with fittings for condensate drainage. Knock-outs on side panels for easy factory or site fitting of accessories. Slots on rear of pane to facilitate wall-mounting.

Heat exchangers consist of Aluminium fins mechanically expanded onto copper tubes in a continuous block. Frame in galvanised steel, brass headers with female 3/4" gas fitting. Air vents on both headers. Standard water connections on left-hand side; right-hand side on request. Coil can be easily rotated if necessary.

Electric fans

Single-phase asynchronous motor with 6 speed settings (3 connected in the factory) with overload cutout. Anti-vibration mountings for low-noise operation. Three-dimensional double-inlet centrifugal fans with aluminium impellers. Statically and dynamically balanced. All fans are run tested during final on-line test and inspection procedures.

Filters

Metal frame containing honeycomb polypropylene filter media. Easy to remove and clean. Standard filters are to EU1 efficiency; other efficiencies available on request.



Casing

Hot-galvanised sheet metal pre-coated with a PVC film to increase resistance to corrosion. Airflow direction louvres in ABS or nylon. Colour of housing: white. Colour of louvres: light grey. Other RAL colours available on request.

Decorative panels

For vertical wall recessed type and horizontal ceiling concealed type, decorative panels in white lacquered wood or white PVC-coated galvanised metal are available. The panels come complete with air intake and outlet grilles and filter.

Accessories

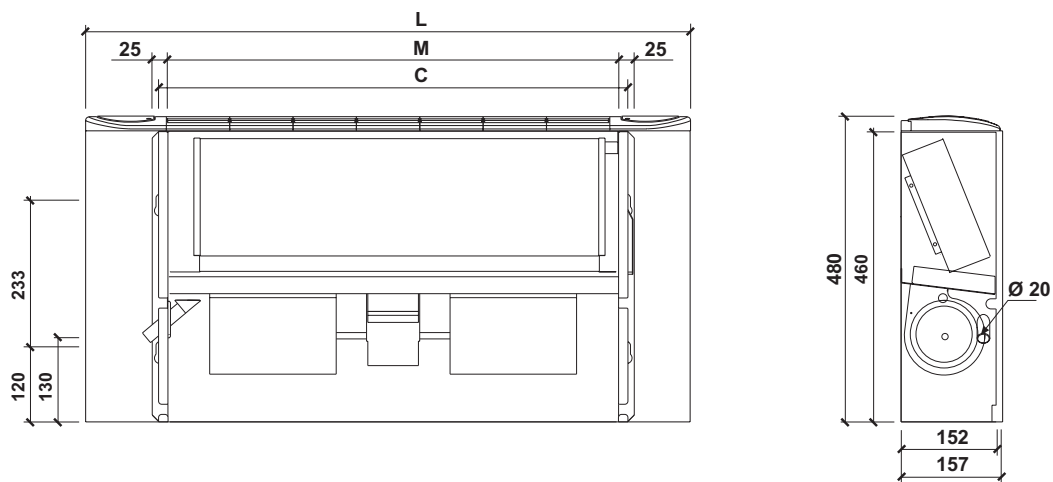
2 or 3- way valves | On-off and balancing valves | Inlet and discharge plenums | Auxiliary coils | Condensate drain pans | Telescopic extensions | Plinths | Decorative panels | Condensate drain pumps, etc.





Only 157 mm

GENERAL DIMENSIONS



MODELLO		FLAT 000		FLAT 010		FLAT 020	
General dimension							
Fans	No.	2	2	2	2	2	2
2 rows coil	Fitting	Ø	1/2"	1/2"	1/2"	1/2"	1/2"
Net weight (2 rows coil)		kg	16	19	21,5	23	23
3 rows coil	Fitting	Ø	1/2"	1/2"	1/2"	1/2"	1/2"
Net weight (3 rows coil)		kg	17	20	23	23	23
	L	mm	960	1.160	1.360	1.360	1.360
	M	mm	742	942	1.142	1.142	1.142
	C	mm	712	912	1.112	1.112	1.112

Controls

Terminal strip applied to the side of the fan coil for connection to the wall-mounted controller. Manual, semi-automatic and automatic controls, with display and infrared remote control on request.

MODEL SPEEDS SET IN THE FACTORY				FLAT 000 5° 3' 2"	FLAT 001 5° 3' 2"	FLAT 002 5° 3' 2"
2 pipe system (3R coil)						
COOLING Inlet air temperature: 7 °C Outlet water temp.: 12°C Inlet water temperature: 27°C d.b.-19°C w.b.	Total cooling capacity	W	Max	1.890	2.270	2.660
		W	Med	1.510	2.020	2.190
		W	Min	1.160	1.470	1.730
	Sensible cooling capacity	W	Max	1.460	1.750	2.020
		W	Med	1.140	1.540	1.640
		W	Min	866	1.100	1.290
	Water flow	l/h	Max	326	391	458
Water pressure loss	kPa	Max	13,3	7,24	11,3	
HEATING Air temperature: 20°C Inlet water temperature acqua: 50°C	Heating capacity	W	Max	2.410	2.930	3.350
		W	Med	1.900	2.570	2.720
		W	Min	1.430	1.820	2.120
HEATING Air temperature: 20°C Inlet water temp. acqua: 70/60°C	Heating capacity	W	Max	4.100	4.940	5680
		W	Med	3.220	4.360	4590
		W	Min	2.410	3.080	3560
FURTHER DATA	Air flow	m3/h	Max	343	407	453
		m3/h	Med	254	347	353
		m3/h	Min	182	232	265
	Sound power level	dB(A)	Max	51,6	51,8	54,3
		dB(A)	Med	43,1	45,5	48,8
		dB(A)	Min	35,5	37,8	40,6
	Maximum power motor input	W	max	40	38	64
Maximum current motor input	A	max	0,18	0,17	0,32	
2 pipe system (2R coil)						
COOLING Inlet air temperature: 7 °C Outlet water temp.: 12°C Inlet water temperature: 27°C d.b.-19°C w.b.	Total cooling capacity	W	Max	1.450	1.850	2.240
		W	Med	1.200	1.600	1.920
		W	Min	959	1.270	1.500
	Sensible cooling capacity	W	Max	1.180	1.460	1.740
		W	Med	956	1.250	1.470
		W	Min	751	972	1.130
	Water flow	l/h	Max	249	319	386
Water pressure loss	kPa	Max	5,45	10,3	17,1	
HEATING Air temperature: 20°C Inlet water temperature acqua: 50°C	Heating capacity	W	Max	1.960	2.430	2.910
		W	Med	1.610	2.090	2.450
		W	Min	1.250	1.610	1.870
HEATING Air temperature: 20°C Inlet water temp. acqua: 70/60°C	Heating capacity	W	Max	3.380	4.150	4.960
		W	Med	2.770	3.570	4.170
		W	Min	2.150	2.750	3.170
FURTHER DATA	Air flow	m3/h	Max	351	415	477
		m3/h	Med	264	335	382
		m3/h	Min	192	241	272
	Sound power level	dB(A)	Max	54,9	53,6	55
		dB(A)	Med	48,3	47,4	49,3
		dB(A)	Min	41,8	38,0	37,6
	Maximum power motor input	W	max	40	38	64
Maximum current motor input	A	max	0,18	0,17	0,32	

4 pipe system (data refer to 1R coil)

RISCALDAMENTO Temp. aria: 20°C Temp. ingresso acqua: 70/60°C	Heating capacity	W	Max	2.470	3.290	3.530
		W	Med	1.990	2.880	2.940
		W	Min	1.560	2.220	2.370
FURTHER DATA	Air flow	m3/h	Max	343	407	453
		m3/h	Med	254	347	353
		m3/h	Min	182	232	265
	Sound power level	dB(A)	Max	51,6	51,79	54,3
		dB(A)	Med	43,1	45,47	48,8
		dB(A)	Min	35,5	37,77	40,6

- Standard unit with free outlet (External static pressure= 0 Pa)

♪ Sound power level: secondo ISO 23741.

CE Mark The CE Mark indicates that Eden S.r.l. guarantees conformity of the appliances with the Machinery Directive 89/392/EEC, the Low Voltage Directive 73/23/EEC and the Electromagnetic Compatibility Directive 89/336/EEC and subsequent amendments.

Warranty Eden fan coils are guaranteed against defects due to faulty materials or workmanship for 2 years from first start-up of the installation (see the terms of warranty). Eden S.r.l. reserves the right to change technical data and dimensions at any time without notice.



EDEN s.r.l. - Via dell'Artigianato, 11 - 31010 Fonte (TV) - ITALY

Tel. +39 0 423 567 774 r.a. - Fax +39 0 423 567 985 - www.eden-clima.com - e-mail: info@eden-clima.com